

MARTIN™ 72SR and MG72R

SPECIFICATIONS:

35 yds. WF8F plus 100 yds. of 20# backing capacity

3⁵/₁₆" Diameter

1⁵/₁₆" Spool Depth

72SR

10.0 oz. Weight

Exclusive 360° floating disc drag system

Comes with additional star drag control for use with monofilament

Stamped reel foot fits all fly rods

Twin stainless-steel line guides for right/left hand retrieve

MG72R

9.0 oz. Weight

Exclusive 360° floating disc drag system

Super-strong, machined reel foot fits all fly rods

Twin stainless-steel line guides for right/left hand retrieve

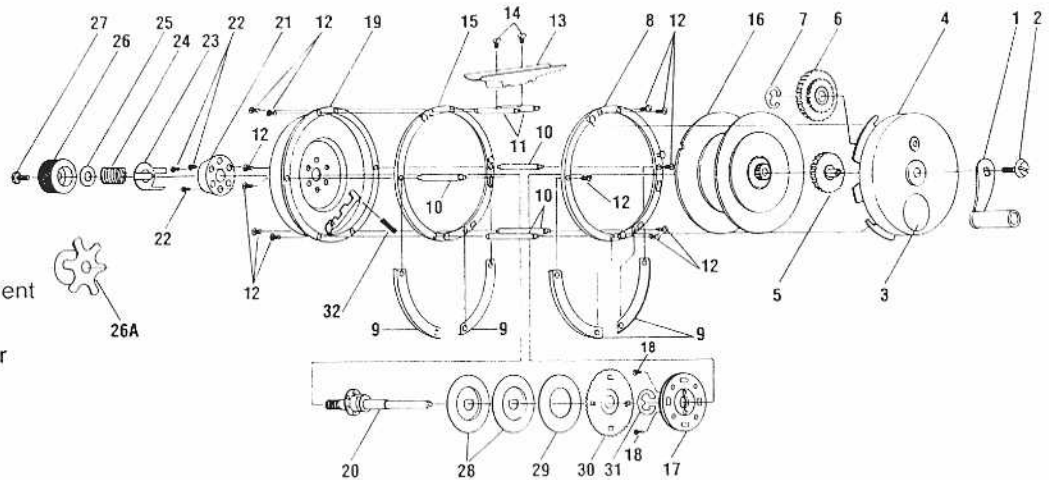
Long 1³/₁₆" sculptured Power Handle

FEATURES:

Multiple action with high-speed 3:1 ratio retrieve

High-strength aluminum alloy spool, back and gear case

One-year limited warranty



ReelSchematic

Key No.	72SR Part No.	MG72R Part No.	Description	Price	Key No.	72SR Part No.	MG72R Part No.	Description	Price
1	1263-72SR-SA	N/A	Handle Assy	1.91	16	F11R	N/A	Spool Assembly	13.05
1	N/A	1263-MM11-SA	Handle Assy	7.37	16	N/A	F17R	Spool Assembly	15.15
2	QC068-01A	QC068-01A	Handle Screw	1.15	17	1209PP	1209PP	Clutch Assembly	5.30
3	728G	727S	Medallion	1.40	18	RR031-09A	RR031-09A	Clutch Screw	.35
3A	9500	9501	Glue Circle	.93	19	S-1-72-01BCP	S-1-MG72-01ACP	Side Cover Assy (Drag Side)	12.80
4	1265-72SR-PP	1265-MG72R-PP	Side Cover (Handle Side)	6.90	20	714-01A	714-01A	Spindle	6.90
5	1262-MM11-PP	1262-MM11-PP	Crank Shaft/Drive Gear Assy	2.66	21	270A-01A	270A-01A	End Cap	2.75
6	1261-MM11-PP	1261-MM11-PP	Secondary Gear Assy	3.50	22	RR130-04A	RR130-04A	End Cap Screw	1.60
7	RR190-05A	RR190-05A	Gear Retainer	.20	23	QC169-01A	QC169-01A	Plunger Spring	5.00
8	709-01ACP	N/A	Rim (Handle Side)	8.49	24	294S	294S	Drag Spring	.32
8	N/A	808-01ACP	Rim (Handle Side)	.45	25	641S	641S	Washer	.10
9	194-01ACP	N/A	Line Guide	1.70	26	269A-01A	269A-01A	Drag Nut	4.35
9	N/A	194S-01ATP	Line Guide	1.55	26A	1371PP-PSA	N/A	Star Drag Knob	5.30
10	191-01B	N/A	Line Guide Posts	2.23	27	RR130-07A	RR130-07A	Drag Knob (Spindle) Screw	1.00
10	N/A	191S-01B	Line Guide Posts	5.30	28	QC040-01A	QC040-01A	Pressure Plate	1.85
11	264-01A	821S-01C	Reel Foot Post	8.86	29	RR111-10A	RR111-10A	Teflon Brake Liner	.90
12	234	234	Pillar Screw	.32	30	QC027-01A	QC027-01A	Ratchet Friction Plate	3.45
13	VC022-01ARW	N/A	Reel Foot	.23	31	RR190-04A	RR190-04A	Retaining Ring	.60
13	N/A	809-01A	Reel Foot	5.57	32	351S	351S	Ratchet Pawl Spring	.42
14	RR130-10A	RR130-10A	Reel Foot Screw	.20					
15	193-01A	N/A	Rim (Drag Side)	2.80					
15	N/A	807A-01A	Rim (Drag Side)	2.65					

MODEL INTRODUCED	EFFECTIVE DATE OF PARTS LIST/DIAGRAM	Oct. 1996	DISCONTINUED	N/A
------------------	--------------------------------------	-----------	--------------	-----

Prices subject to change without notice. Prices do not include postage and handling.

PLEASE ORDER BY PART NUMBER Zebco Division Brunswick Corporation, Box 270, Tulsa, OK 74101 USA 918-831-6965

